

Aluminum Conduit Bodies Applications

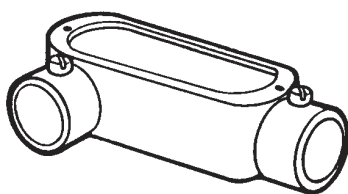
- For use with EMT conduit in dry locations
- Use conduit bodies for making turns in conduit systems, connecting conduit sections, as pull outlets, and to provide openings for maintenance and making taps and splices to conductors

Aluminum Conduit Bodies Product Features

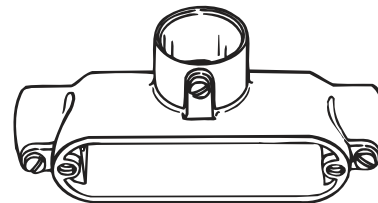
- Flat back design for easy mounting close to walls
- Cast of high strength, corrosion and weather resistant aluminum alloy with painted finish
- May be used on aluminum or steel conduit
- Lightweight, makes installation simple

Compliances

- - Standard 514B
- - C22.2 #18



TYPE LR



TYPE T

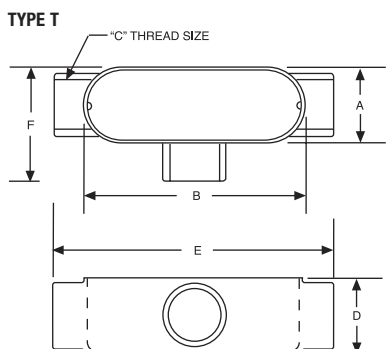
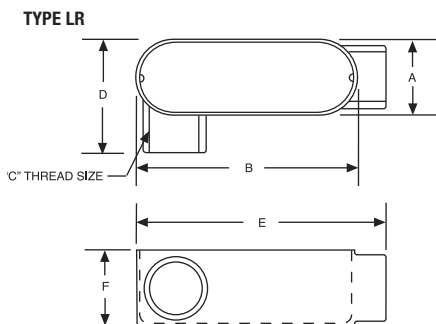
ORDERING INFORMATION - DIMENSIONS

TYPE LR				
CATALOG NUMBER	TRADE SIZE	UNITY CTN. QTY.	SHIP CTN. QTY.	UPC BAR CODE
EBLR-1	1/2"	10	100	—
EBLR-2	3/4"	10	50	—
EBLR-3	1"	6	24	—
EBLR-4	1-1/4"	2	8	—
EBLR-5	1-1/2"	2	8	—
EBLR-6	2"	1	5	—

DIMENSIONS - TYPE LR						
CONDUIT SIZE	A	B	C	D	E	F
1/2"	1-5/16"	3-7/8"	1/2"	2-3/64"	4-3/8"	1-7/16"
3/4"	1-1/2"	4-5/8"	3/4"	2-15/16"	5-1/8"	1-11/16"
1"	1-3/4"	5-3/8"	1"	2-21/32"	5-15/16"	1-15/16"
1-1/4"	2-1/2"	6-5/8"	1-1/4"	3-15/32"	6-7/8"	2-7/8"
1-1/2"	2-1/2"	6-5/8"	1-1/2"	3-15/32"	6-7/8"	2-7/8"
2"	3-1/8"	8-1/2"	2"	3-7/8"	9-7/32"	3-7/16"

TYPE T				
CATALOG NUMBER	TRADE SIZE	UNITY CTN. QTY.	SHIP CTN. QTY.	UPC BAR CODE
EBT-1	1/2"	10	100	—
EBT-2	3/4"	10	50	—
EBT-3	1"	6	24	—
EBT-4	1-1/4"	2	8	—
EBT-5	1-1/2"	2	8	—
EBT-6	2"	1	5	—

DIMENSIONS - TYPE T						
CONDUIT SIZE	A	B	C	D	E	F
1/2"	1-5/16"	3-7/8"	1/2"	1-7/16"	4-29/32"	2-1/8"
3/4"	1-1/2"	4-5/8"	3/4"	1-11/16"	5-1/2"	2-11/32"
1"	1-3/4"	5-3/8"	1"	1-15/16"	6-7/16"	2-21/32"
1-1/4"	2-1/2"	6-5/8"	1-1/4"	2-7/8"	8-7/16"	3-19/32"
1-1/2"	2-1/2"	6-5/8"	1-1/2"	2-7/8"	8-7/16"	3-19/32"
2"	3-1/8"	8-1/2"	2"	3-7/16"	10-3/4"	4-1/32"



WEATHERPROOF BOXES, COVERS AND LIGHTING